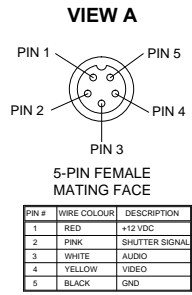
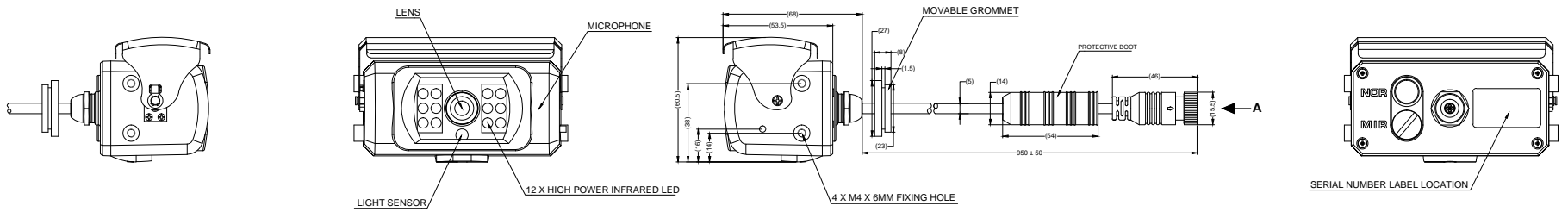
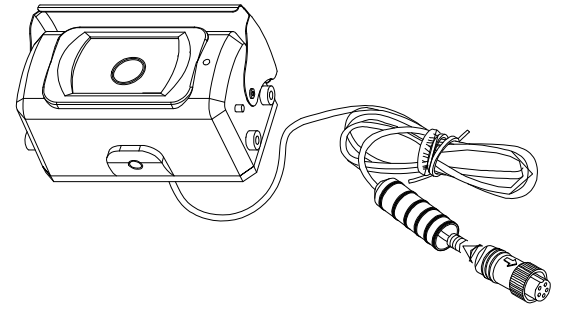
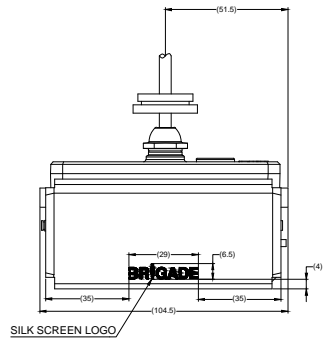


Revision Notes.				
R1 - FW VERSION (SV-13417D-P-07-V1.0) ADDED TO NOTES AS PER CR-A519.				
APA: YILINGZHANG	Drawn:W.BEAZLEY	Checked:S.LAVER	Approved:D.WALLIN	Date: 22/05/2017



- NOTES:**
1. FINISH IS BLACK, BRIGADE LOGO SILKSCREEN IS WHITE.
 2. CONNECTOR A IS BROWN.
 3. FOR PRODUCT LABEL REFER TO LATEST REVISION OF DRAWING BE-002500-XX-13.
 4. FOR PRODUCT SERIAL NUMBER LABEL REFER TO LATEST REVISION OF DRAWING BE-001324-XX-10.
 5. FIRMWARE VERSION SV-13417D-P-07-V1.0 TO BE PRE-LOADED TO MAIN BOARD.



Assembly Pl Approval XINYU HUANG (24/06/13)	Approved by B.JOHN	Checked by B.CHILDS	Released 27/06/13	Drawn by M.BUTLER
Angle of Projection 	Units mm	Scale N/A	Assembly Ref VBV-710C-C	Status RELEASED
Part No 3659A	BE-002507-01-13			

PROPRIETARY NOTICE
THIS DESIGN AND TECHNICAL INFORMATION APPEARING ON THIS DRAWING IS THE PROPERTY OF BRIGADE ELECTRONICS, AND IS DISCLOSED IN CONFIDENCE. IT IS NOT TO BE COPIED, REPRODUCED, REVEALED TO OR EXPROPRIATED BY OTHERS, EITHER IN WHOLE OR IN PART WITHOUT THE EXPRESS WRITTEN CONSENT OF BRIGADE ELECTRONICS.

